



**Data sheet**  
**Flow Transmitter AI Inductive Brass**

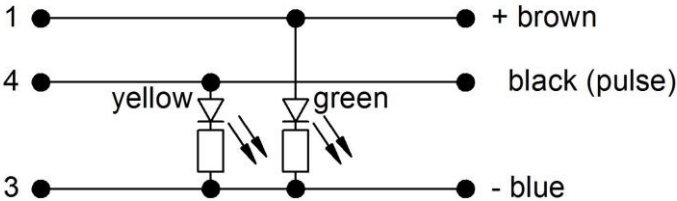




General:	The meter is of oval gear type, with built in steel cylinders in one of the oval gear wheels, together with an inductive sensor which closes twice every turned round. The meter is suitable for continuous measuring of oil.	
Art.No:	102027	
Dimensions:	excl. connector (LxWxH): 46 x 40 x 82	
Connection:	ISO-G 1/8"	
Material:	Anodized aluminium, Nickel plated brass (sensor)	
Weight:	0.229 kg	
Flow range:	0 – 350 cm <sup>3</sup> /min	
Temperature:	-10°C - +60°C	
Max. pressure:	400 bar	
Life:	10 <sup>9</sup> pulses, equal to approx. 655 m <sup>3</sup>	
Accuracy:	Oil ISO VG 150: 0,600 cm <sup>3</sup> /pulse ± 3%	
Electrical data:		
IP class:	IP 67	
Connector:	4-pol std. M12x1 male.	
	Pin 1:	VDC in +
	Pin 2:	NPN out
	Pin 3:	GND
	Pin 4:	PNP out -
Voltage:	8 – 28 VDC	
Output signals:	NPN 2A N.O - PNP 0,7A N.O.	
Short circuit protection :	si	

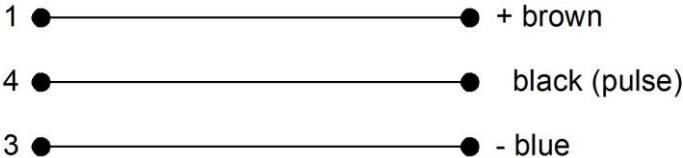
Accessories:  
Art. No.907133

Elbow contact M12x1, female with built in LED.  
5 m PUR cable.

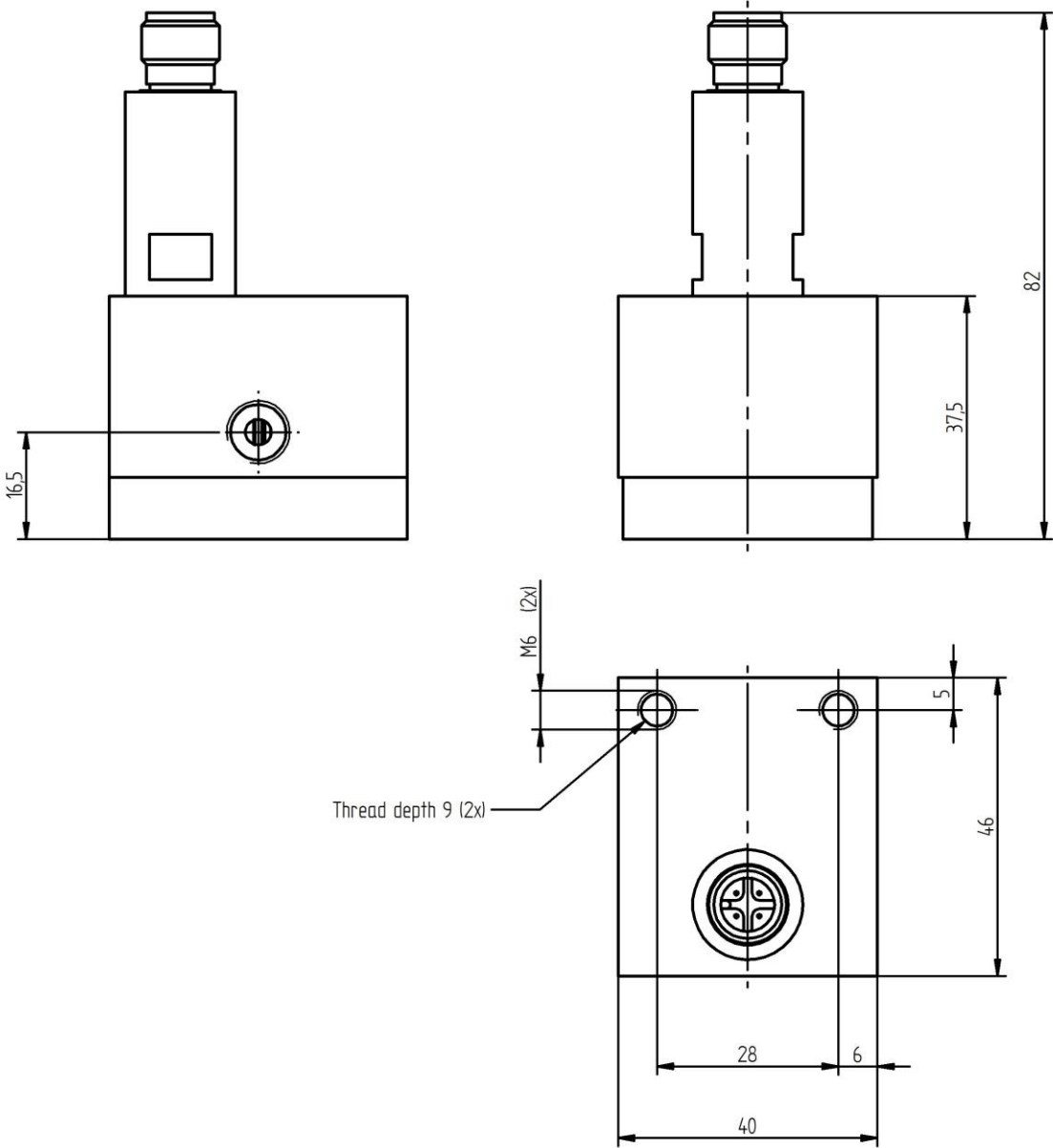


Art. No.907134

Elbow contact M12x1, female.  
5 m. PUR cable.



Dimensions



ASSALUB AB P.O Box 240, SE-597 26 Åtvidaberg, Sweden

Tel: +46 120 358 40 Fax: +46 120 152 11  
Email: [info@assalub.se](mailto:info@assalub.se) Internet: [www.assalub.se](http://www.assalub.se)